

Pressure gauge

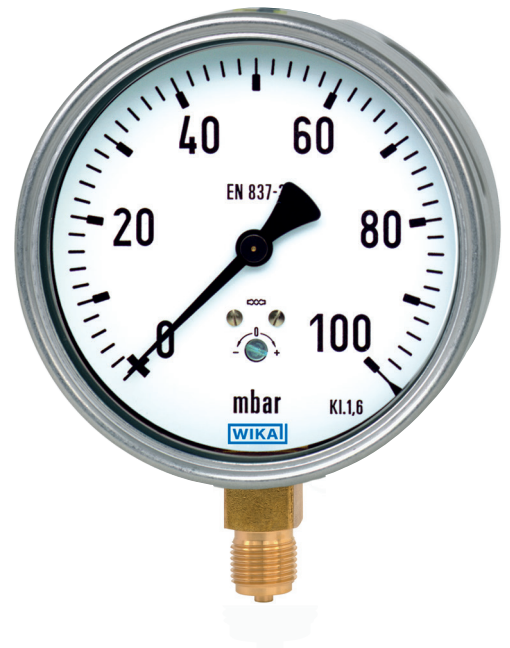
low pressure design serie 2060

case dim 160 mm

E 02.16.04

Ed.23.01

Application	Industrial pressure gauge for low pressure. Suitable for media that will not obstruct the pressure system or attack copper alloy parts.
Design	EN 837-3
Type	Serie 2060
WIKA type no	612.20
Case size	Nominal size dim 160 mm
Accuracy	Class 1,6%
Case	Stainless steel with bayonet ring
Window	Instrument glass
Pressure element	Copper alloy
Movement	Copper alloy
Pressure unit	mbar, mmvp, mmvp/Pa, Pa, kPa, psi, mmHg
Dial	Aluminium, white with black lettering
Pressure connection	G3/8", G1/2" or 1/2"NPT male
Zero adjustment	Zero adjustment through window
Mounting	Lower or back mount, also with back flange, front flange or triangular bezel with clamp
Ingress protection	IP 54 acc.to EN 60529/IEC 529
Lowest pressure range	6 mbar
Pressure limitation	Full scale value by steady pressure 90% of full scale value by fluctuating pressure
Permissible temperature	Medium temperature max -40 till +100°C With back connection max +80°C Ambient temperature max -40 till +60° C
Certificates	Certificate EN 10204 can be delivered as options Test report wetted parts EN 10204-2.2 Inspection certificate wetted parts EN 10204-3.1
Calibration	Option with accredited calibration with calibration certificate according to ISO/IEC 17025:2018 (SWEDAC)
Production options	Design Degreased for oxygen services Dial with colored sectors or with customer logo



2060
Lower mount



2061
Back mount



2065
Lower mount
back flange



2067
Back mount
front flange



2068
Back mount
bezel and clamp



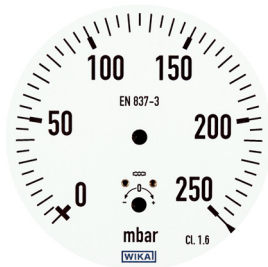
2069
Lower mount
front flange

Pressure gauge

low pressure design serie 2060

case dim 160 mm

E 02.16.04



Pressure range	Interval	Divisions
0-10 mbar	0,2	50
0-16 mbar	0,5	32
0-25 mbar	0,5	50
0-40 mbar	1,0	40
0-60 mbar	1,0	60
0-100 mbar	2,0	50
0-160 mbar	5,0	32
0-250 mbar	5,0	50
0-400 mbar	10,0	40
-10/0 mbar	0,2	50
-16/0 mbar	0,5	32
-25/0 mbar	0,5	50
-40/0 mbar	1,0	40
-60/0 mbar	1,0	60
-100/0 mbar	2,0	50
-160/0 mbar	5,0	32
-250/0 mbar	5,0	50
-400/0 mbar	10,0	40

Accuracy

Max permissible error 1,6%

The accuracy is expressed as a percentage of full scale range. Permissible error 1,6% will cover 0% till 100% of scale range with a reference temperature of +20°C.

Ex. Pressure range 0-10 bar has an error of $\pm 1,6$ mbar

Temperature effect

Temperature of the measuring system over or under the reference temperature +20°C will effect the accuracy with 0,4 percentage per +10°C. With a medium temperature of +40°C the accuracy will be $\pm 2,8\%$.

Unit mbar

Low pressure in mbar

10 mbar = 0,01 bar

10 mbar = 100 mmvp

10 mbar = 1000 Pa = 1 kPa

10 mbar = 0,145 psi

Alternative design

Overpressure and vaccum safe

10 times overpressure safe from range 0-40 mbar

3 times overpressure safe in ranges < 0-40 mbar

10 times vacuum safe from range 0-40 mbar

3 times vacuum safe in ranges < 0-40 mbar

Stainless steel design

Pressure gauge in stainless steel version.

Suitable for aggressive media and environments

Type 2860 datasheet E02.07.01

Test gauge

Pressure gauge for testing and calibration 0,6%

Type 612.20 datasheet PM 06.09

With electrical contact

One or two electrical contact mounted in the case

Max- and/or minfunction







Type PGS43 datasheet PV 24.03

Pressure gauge

low pressure design serie 2060

case dim 160 mm

E 02.16.04

Code number case dim 160 mm connection G1/2							
		2060	2061	2065	2067	2068	2069
Conn.	Range	Below	Back	Back flange	Front flange	Clamp	Front flange
G1/2	0-6 mbar	20606217	x	20656217	x	x	20696217
G1/2	0-10 mbar	20606219	x	20656219	x	x	20696219
G1/2	0-16 mbar	20606220	x	20656220	x	x	20696220
G1/2	0-25 mbar	2606222	x	20656222	x	x	20696222
G1/2	0-40 mbar	20606224	x	20656224	x	x	20696224
G1/2	0-60 mbar	20606225	x	20656225	x	x	20696225
G1/2	0-100 mbar	20606226	x	20656226	x	x	20696226
G1/2	0-160 mbar	20606227	x	20656227	x	x	20696227
G1/2	0-250 mbar	20606228	x	20656228	x	x	20696228
G1/2	0-400 mbar	20606229	x	20656229	x	x	20696229
G1/2	-6/0 mbar	20606251	x	20656251	x	x	20696251
G1/2	-10/0 mbar	20606252	x	20656252	x	x	20696252
G1/2	-16/0 mbar	20606253	x	20656253	x	x	20696253
G1/2	-25/0 mbar	20606254	x	20656254	x	x	20696254
G1/2	-40/0 mbar	20606255	x	20656255	x	x	20696255
G1/2	-60/0 mbar	20606256	x	20656256	x	x	20696256
G1/2	-100/0 mbar	20606257	x	20656257	x	x	20696257
G1/2	-160/0 mbar	20606258	x	20656258	x	x	20696258
G1/2	-250/0 mbar	20606259	x	20656259	x	x	20696259
G1/2	-400/0 mbar	20606260	x	20656260	x	x	20696260
G1/2	-20+20 mbar	x	x	x	x	x	x
G1/2	-20+40 mbar	x	x	x	x	x	x
G1/2	-30+30 mbar	x	x	x	x	x	x
G1/2	-40+20 mbar	x	x	x	x	x	x

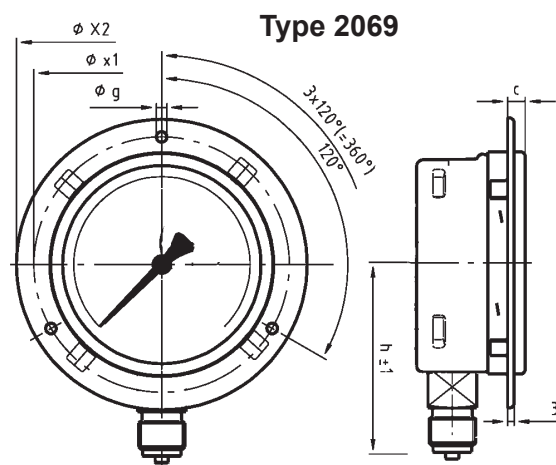
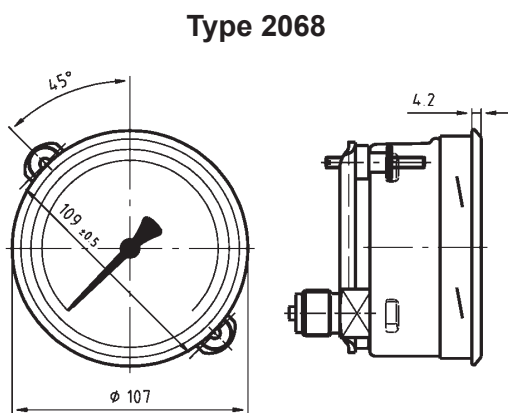
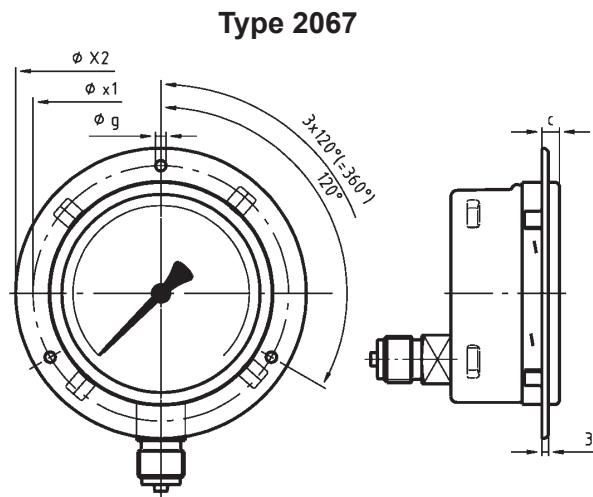
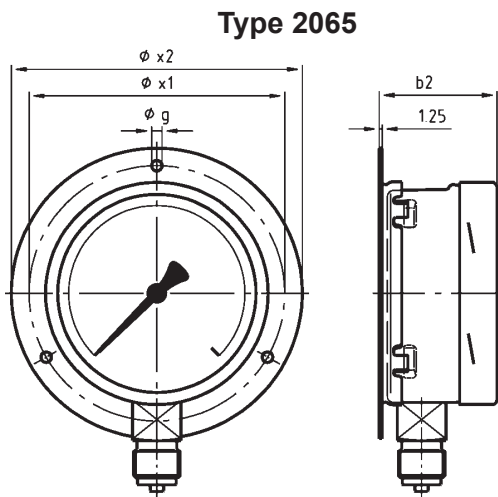
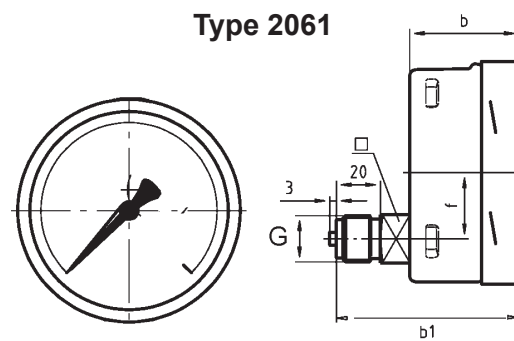
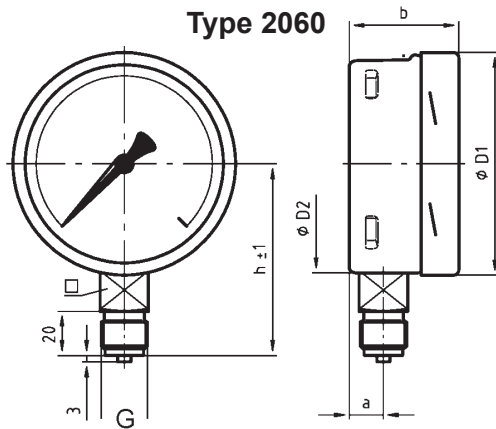
Pressure ranges marked with x only as option

Pressure gauge

low pressure design serie 2060

case dim 160 mm

E 02.16.04



Dim Ø	a	b	b ₁	b ₂	D ₁	D ₂	x1	x2	g	h±1	f	c	kg	G
160	15,5	49,5*	83*	53,5	161	159	178	196	5,8	188	50	10	1,1	G3/8-G1/2

* From 100 bar b = 65,5 mm and b₁ = 99 mm